

# MOD:XEFT-10EU-ELRV



## ENGLISH

## TECHNICAL DATA

|  |  |
|--|--|
| 01 POWER                                   | 15.5 kW  |
| 03 FREQUENCY                               | 50 / 60 Hz   |
| 04 POWER SUPPLY CABLE TYPE                 | H07RN-F  |
| 05 EXTERNAL Ø OF POWER SUPPLY CABLE        | 20 mm  |
| 06 VOLTAGE / POWER CABLE SECTION / CURRENT | 380-415 V~3PH+N+PE<br>5G x 4 mm <sup>2</sup><br>Circuit Breaker 32 A<br>I1=21.5 A - I2=21.5 A - I3=26 A - In=3.5 A |
|  | 220-240 V~3PH+PE<br>4G x 6 mm <sup>2</sup><br>Circuit Breaker 40 A<br>I1=37 A - I2=39.5 A - I3=39.5 A - In=        |
| 10 WATER PRESSURE                          | 150-600 kPa  |
| 11 MAX FOOD LOAD                           | 50 kg  |
| 13 WATER MAX CONSUMPTION                   | 15 l/h @ 200 kPa   |
| 02 NOMINAL HEAT INPUT                      | 14.7 kW  |
| 18 CAVITY DIMENSIONS ( W - D - H )         | 696x441x785 mm   |
| 20 IP PROTECTION CLASS                     | X4   |

## ITALIANO

|   |  |
|---|--|
| 01 POTENZA  | 15.5 kW  |
| 03 FREQUENZA  | 50 / 60 Hz   |
| 04 TIPO DI CAVO ALIMENTAZIONE                       | H07RN-F  |
| 05 Ø ESTERNO CAVO DI ALIMENTAZIONE                  | 20 mm  |
| 06 TENSIONE / SEZIONE CAVI ALIMENTAZIONE / CORRENTE | 380-415 V~3PH+N+PE<br>5G x 4 mm <sup>2</sup><br>Circuit Breaker 32 A<br>I1=21.5 A - I2=21.5 A - I3=26 A - In=3.5 A |
| 10 PRESSIONE ACQUA                                  | 150-600 kPa  |
| 11 CARICA MAX CIBO                                  | 50 kg  |
| 13 CONSUMO MAX ACQUA                                | 15 l/h @ 200 kPa   |
| 02 POTENZA TERMICA NOMINALE                         | 14.7 kW  |
| 18 DIMENSIONI CAMERA COTTURA ( L - P - H )          | 696x441x785 mm   |
| 20 GRADO PROTEZIONE IP                              | X4   |

## FRANCAIS

|  |  |
|--|--|
| 01 PUISSANCE ELECTRIQUE                        | 15.5 kW  |
| 03 FREQUENCE                                   | 50 / 60 Hz   |
| 04 TYPE DE CABLE D'ALIMENTATION                | H07RN-F  |
| 05 Ø EXTERNE DU CABLE D'ALIMENTATION           | 20 mm  |
| 06 TENSION / SECTION CABLE D'ALIM.             | 380-415 V~3PH+N+PE<br>5G x 4 mm <sup>2</sup><br>Circuit Breaker 32 A<br>I1=21.5 A - I2=21.5 A - I3=26 A - In=3.5 A |
| 10 PRESSION DE L'EAU                           | 150-600 kPa  |
| 11 CHARGE MAXIMALE D'ALIMENT                   | 50 kg  |
| 13 CONSOMMATION MAX DE L'EAU                   | 15 l/h @ 200 kPa   |
| 02 DEBIT THERMIQUE NOMINAL                     | 14.7 kW  |
| 18 DIMENSIONS CHAMBRE DE CUISSON ( L - P - A ) | 696x441x785 mm   |
| 20 INDICE DE PROTECTION IP                     | X4   |

## ESPAÑOL

|   |  |
|---|--|
| 01 POTENCIA                                       | 15.5 kW  |
| 03 FRECUENCIA                                     | 50 / 60 Hz   |
| 04 TIPO DE CABLE DE ALIMENTACION                  | H07RN-F  |
| 05 Ø CABLE EXTERNO DE ALIMENTACION                | 20 mm  |
| 06 TENSION / SECCION CABLES DE ALIMENTACION       | 380-415 V~3PH+N+PE<br>5G x 4 mm <sup>2</sup><br>Circuit Breaker 32 A<br>I1=21.5 A - I2=21.5 A - I3=26 A - In=3.5 A |
| 10 PRESION AGUA                                   | 150-600 kPa  |
| 11 CARGA MAX. DE ALIMENTOS                        | 50 kg  |
| 13 CONSUMO MAX DE AGUA                            | 15 l/h @ 200 kPa   |
| 02 POTENCIA TERMICA NOMINAL                       | 14.7 kW  |
| 18 DIMENSIONES CÁMARA DE COCCIÓN ( An - Pr - Al ) | 696x441x785 mm   |
| 20 GRADO DE PROTECCION IP                         | X4   |

## DEUTSCH

|   |  |
|---|--|
| 01 ELEKTRISCHE LEISTUNG                     | 15.5 kW  |
| 03 FREQUENZ                                 | 50 / 60 Hz   |
| 04 ZULEITUNGSKABELTYP                       | H07RN-F  |
| 05 AUSSENDURCHMESSER DES VERSORGUNGSKABELS  | 20 mm  |
| 06 KABELQUERSCHNITT UND VERSORGUNGSSPANNUNG | 380-415 V~3PH+N+PE<br>5G x 4 mm <sup>2</sup><br>Circuit Breaker 32 A<br>I1=21.5 A - I2=21.5 A - I3=26 A - In=3.5 A |
| 10 WASSERDRUCK                              | 150-600 kPa  |
| 11 MAX. SPEISENFASSUNGSVERMOGEN             | 50 kg  |
| 13 MAXIMUM WASSERVERBRAUCH                  | 15 l/h @ 200 kPa   |
| 02 NOMINALE WARMELEISTUNG                   | 14.7 kW  |
| 18 GRÖÖBE DES KOCHKAMMERS ( B - T - H )     | 696x441x785 mm   |
| 20 SCHTZART IP                              | X4   |

# MOD:XEFT-10EU-ELRV



## ENGLISH - DRAWINGS

|    |                             |
|----|-----------------------------|
| 2  | TERMINAL BOARD POWER SUPPLY |
| 3  | UNIPOTENTIAL TERMINAL       |
| 6  | TECHNICAL DATA PLATE        |
| 7  | SAFETY THERMOSTAT           |
| 8  | 3/4" THREAD WATER INLET     |
| 12 | HOT FUMES EXHAUST CHIMNEY   |
| 13 | ACCESSORIES CONNECTION      |
| 27 | COOLING AIR OUTLET          |

## ITALIANO - DISEGNI

|    |                               |
|----|-------------------------------|
| 2  | MORSETTIERA ALIMENTAZIONE     |
| 3  | MORSETTO EQUIPOTENZIALE       |
| 6  | TARGHETTA DATI TECNICI        |
| 7  | TERMOSTATO DI SICUREZZA       |
| 8  | INGRESSO ACQUA 3/4"           |
| 12 | USCITA FUMI CALDI             |
| 13 | COLLEGAMENTO ACCESSORI        |
| 27 | USCITA ARIA DI RAFFREDDAMENTO |

## FRANCAIS - ENCOMBREMEN

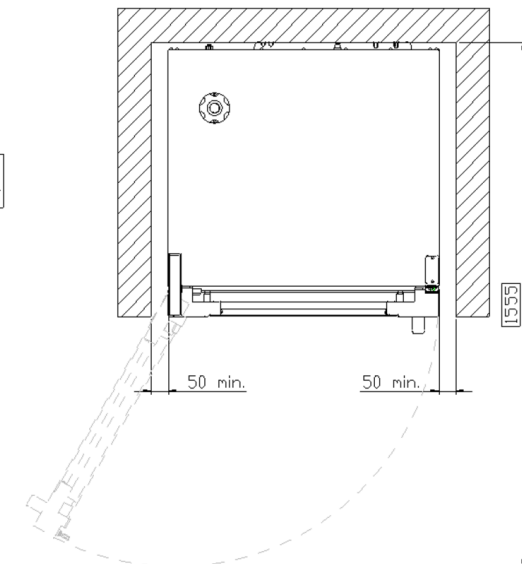
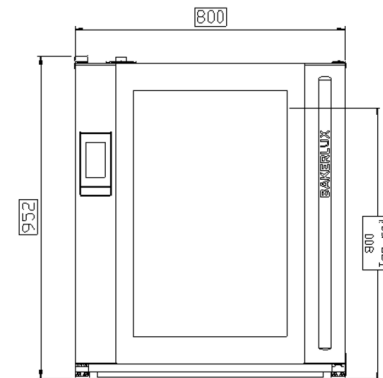
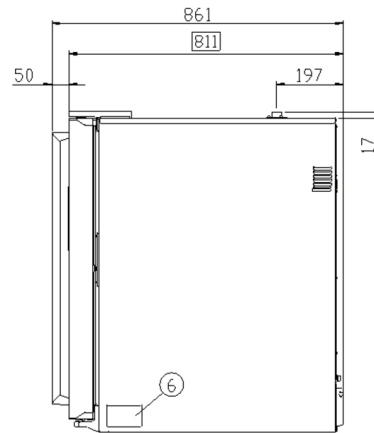
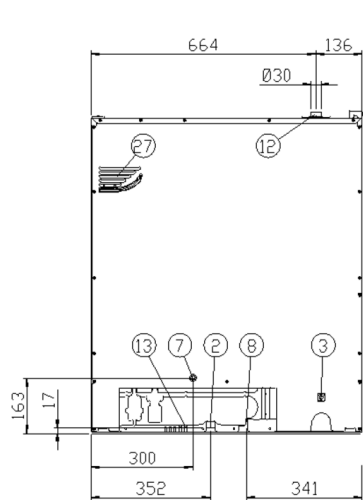
|    |                                 |
|----|---------------------------------|
| 2  | BOITE A BORNES D'ALIMENTATION   |
| 3  | SUPPORT BORNE EQUIPOTENTIELLE   |
| 6  | PLAQUETTE SEGNALTIQUE           |
| 7  | THERMOSTAT DE SECURITE          |
| 8  | ARRIVE' D'EAU FIELT 3/4"        |
| 12 | SORTIE DES FUMES CHAUDES        |
| 13 | JONCTION DES ACCESSOIRES        |
| 27 | SORTIE D'EAU DE REFROIDISSEMENT |

## ESPAÑOL - DISEÑOS

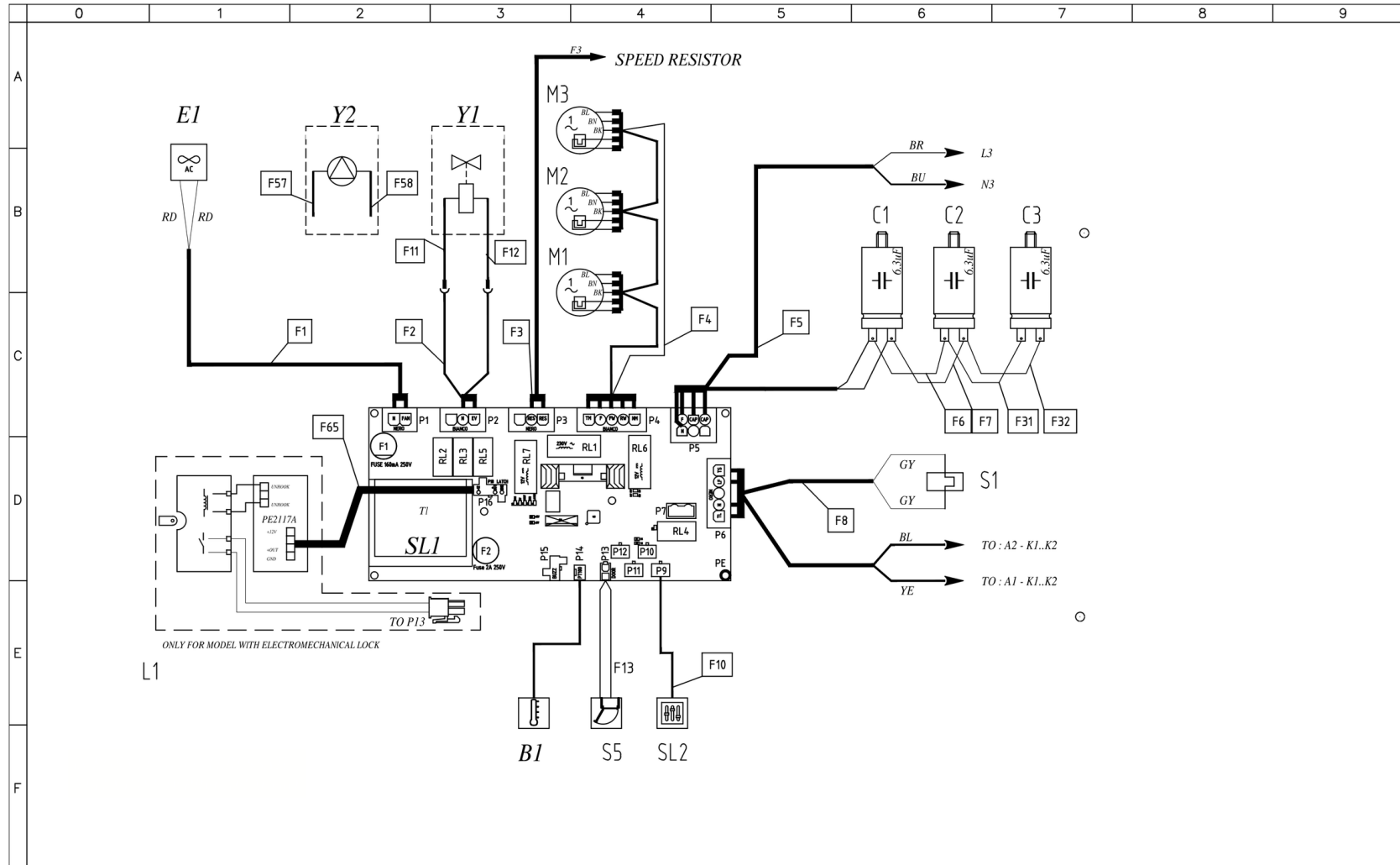
|    |                                     |
|----|-------------------------------------|
| 2  | CAJA DE CONEXION                    |
| 3  | SEDE BORNE EQUIPOTENCIAL            |
| 6  | TARJETA DE CARACTERISTICAS TECNICAS |
| 7  | TERMOSTATO DE SEGURIDAD             |
| 8  | ENTRADA DE AGUA 3/4"                |
| 12 | SALIDA HUMOS CALIENTES              |
| 13 | CONEXION ACCESORIOS                 |
| 27 | SALIDA DEL AIRE DE ENFRIAMIENTO     |

## DEUTSCH - ZEICHNUNGEN

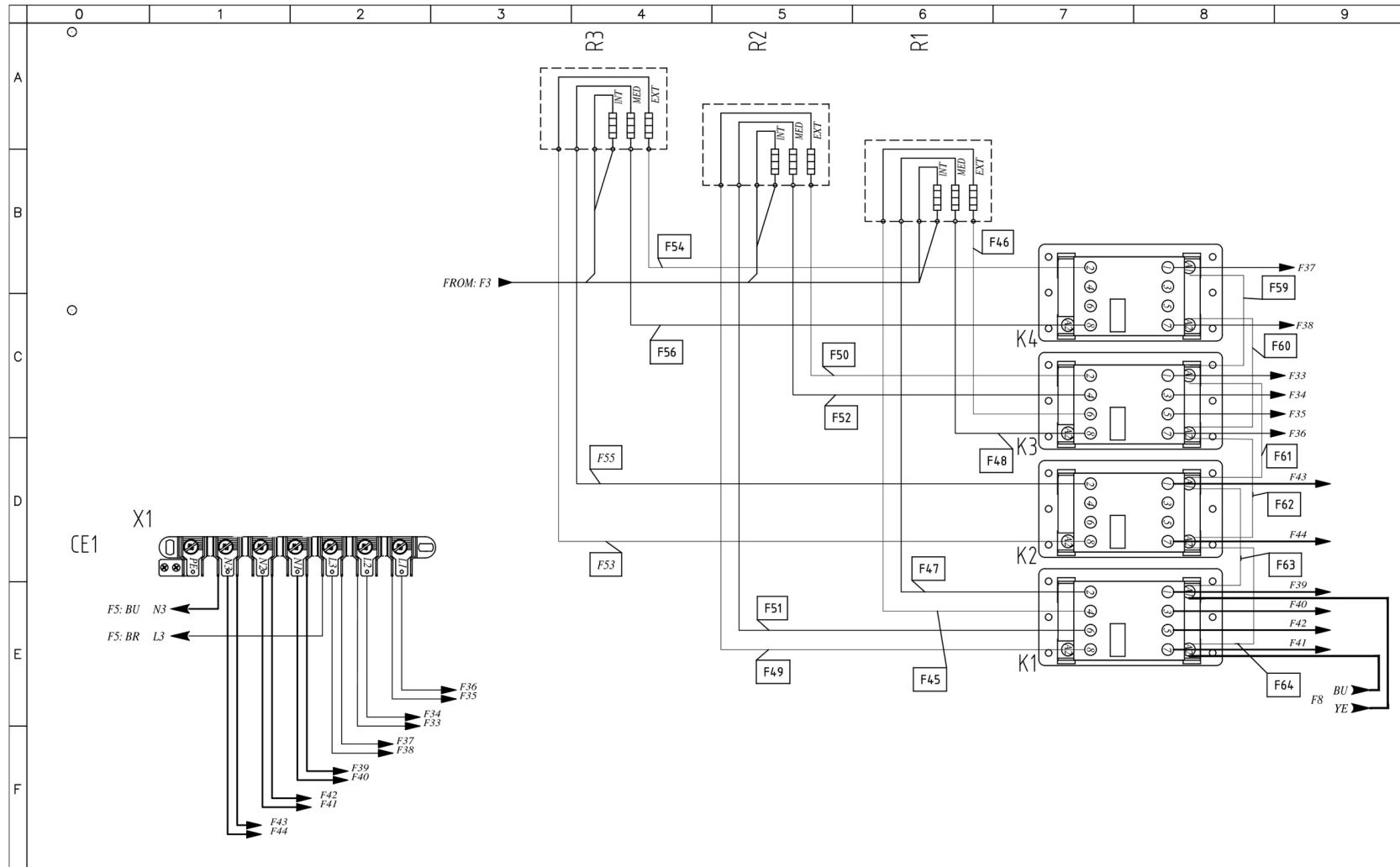
|    |                           |
|----|---------------------------|
| 2  | ZULEITUNGSKLEMMLEISTE     |
| 3  | GLEICHPOTENTIELLE KLAMMER |
| 6  | TYPENSCHILD               |
| 7  | SICHERHEITSTHERMOSTAT     |
| 8  | WASSEREINZUG 3/4" GEWINDE |
| 12 | ABZUGSHAUBE               |
| 13 | ZUBEHÖRTEILENVERBINDUNG   |
| 27 | KÜHLLUFTAustrITT          |



# MOD:XEFT-10EU-ELRV



# MOD:XEFT-10EU-ELRV



# MOD:XEFT-10EU-ELRV



|   | 0 | 1 | 2 | 3 | 4 | 5 | 6 | 7 | 8 | 9 |
|---|---|---|---|---|---|---|---|---|---|---|
| A |   |   |   |   |   |   |   |   |   |   |
| B |   |   |   |   |   |   |   |   |   |   |
| C |   |   |   |   |   |   |   |   |   |   |
| D |   |   |   |   |   |   |   |   |   |   |
| E |   |   |   |   |   |   |   |   |   |   |
| F |   |   |   |   |   |   |   |   |   |   |

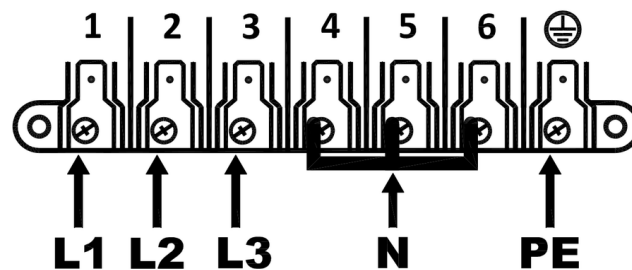
| Stg         | ENGLISH                   | ITALIANO                    | FRANCAIS                          | ESPAÑOL                       | DEUTSCH                       |
|-------------|---------------------------|-----------------------------|-----------------------------------|-------------------------------|-------------------------------|
| B1          | TEMPERATURE PROBE         | SONDA CAMERA                | SONDE DE CHAMBRE                  | SONDA CAMARA                  | GARRAUMTEMPERATURFUHLER       |
| C1,C2,C3    | MOTOR CAPACITOR           | CONDENSATORE                | CONDENSATEUR                      | CONDENSADOR                   | KONDENSATOR                   |
| CE1         | POWER CORD 5G4mmq H07RN-F | CAVO 5X4 MMQ L1.5 MT        | E PINIERE 5X4 MMQ H07RN-F L1.5 MT | CABLE 5X4 MMQ H07RN-F L1.5 MT | KABEL 5X4 MMQ H07RN-F L1.5 MT |
| E1          | COOLING FAN 230V          | VENTOLA RAFFREDDAMENTO 230V | TURBINE DE REFROIDISSEMENT 230V   | TURBINA DE REFRIGERACION 230V | LÜFTER 230V                   |
| K1,K2,K3,K4 | CONTACTOR                 | TELERUTTORE                 | TELERUPTEUR                       | TELERRUPTOR                   | RELAIS                        |
| L1          | ELECTROMAGNETIC LOCK      | ELETTROSERRATURA            | SERRURES ÉLECTROMAGNÉTIQUE        | CERRADURA ELECTROMAGNÉTICAS   | ELEKTROMAGNETVERSCHLÜSSE      |
| M1,M2,M3    | MOTOR                     | MOTORE                      | MOTEUR                            | MOTOR                         | MOTOR                         |
| R1,R2,R3    | HEATING ELEMENT           | ELEMENTO RISCALDANTE        | ELEMENT DE CHAUFFAGE              | RESISTENCIA DE CALEFACCIÓN    | HEIZUNG                       |
| S5          | DOOR MICROSWITCH          | MICRO INTERRUOTORE PORTA    | MICROINTERRUPTEUR DE PORTE        | MICROINTERRUPTOR PUERTA       | TURKONTAKTSCHALTER            |
| SL1         | POWER CARD                | SCHEDA POTENZA              | CARTE DE PUISSANCE                | TARJETA POTENCIA              | POWERPLATINE                  |
| SL2         | CONTROL BOARD             | SCHEDA CONTROLLO            | CARTE DE CONTROLE                 | TARJETA DE CONTROL            | KONTROLL PLATINE              |
| X1          | CONTACTOR 6P+PE           | MORSETTIERA 6P+PE           | BORNIER 6P+PE                     | CONECTOR 6P+PE                | KLEMMLEISTE 6P+PE             |
| Y1          | WATER SOLENOID VALVE      | ELETTROVALVOLA ACQUA        | ELECTROVANNE EAU                  | ELECTROVALVULA                | ELEKTROVENTIL                 |
| Y2          | PUMP                      | POMPA                       | POMPE                             | BOMBA                         | PUMPE                         |
| S1          | SAFETY THERMOSTAT         | TERMOSTATO SICUREZZA        | THERMOSTAT DE SECURITE            | TERMOSTATO DE SEGURIDAD       | SICHERHEITS THERMOSTAT        |

# MOD:XEFT-10EU-ELRV



## ED1408A POWER SUPPLY - CONNECTION DIAGRAM

380-415V ~ 3PH + N + PE 50/60Hz



220-240V ~ 3PH + PE 50/60Hz

